

PARTS LISTINGS/TEILELISTE/LISTE DES PIÈCES/ELENCO COMPONENTI

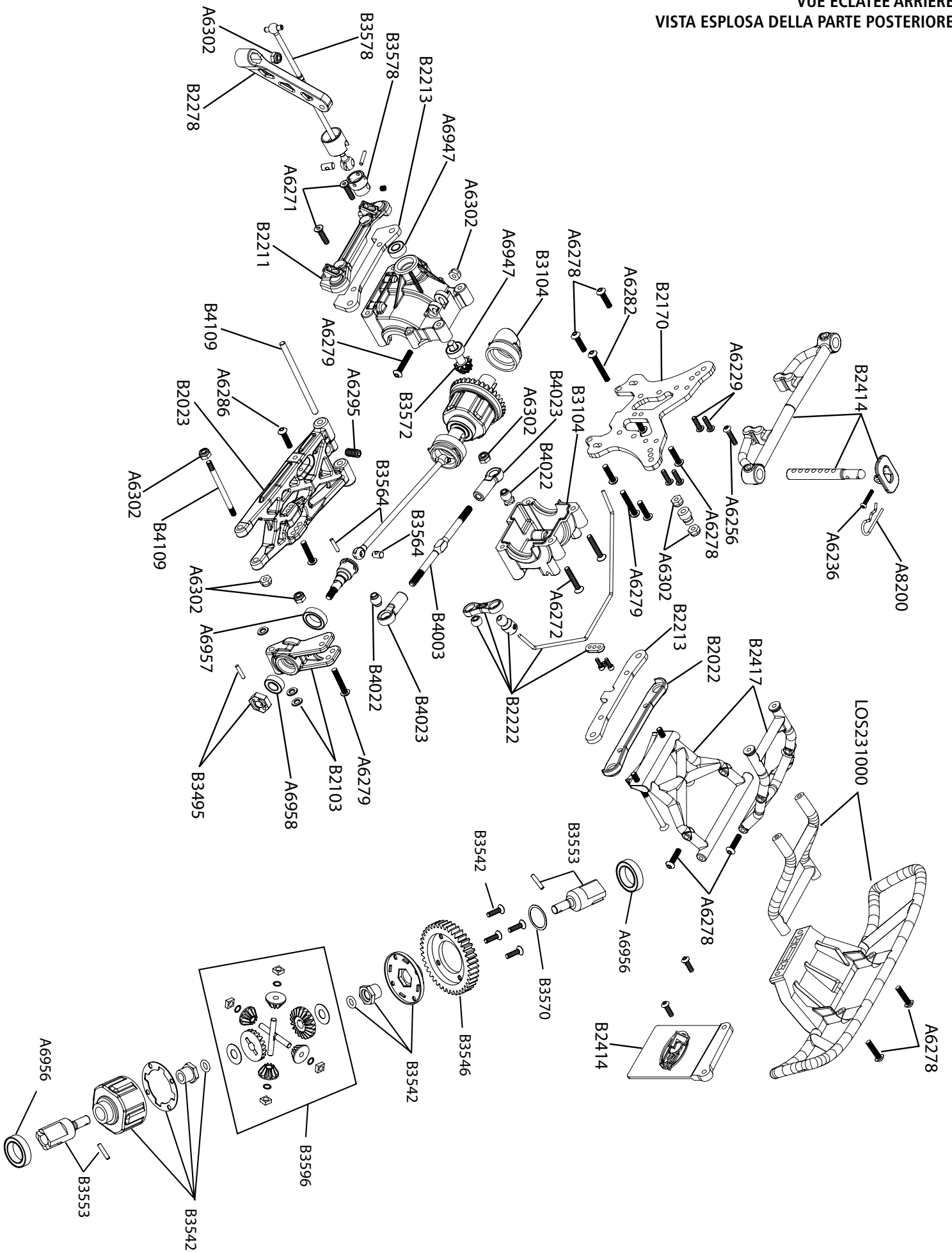
PART #	ENGLISH	DEUTSCH	FRANÇAIS	ITALIANO
LOS230000	TEN-RALLY X Painted Body	TEN-RALLY X lackierter Body	Carrosserie TEN-RALLY X décoration	Carrozzeria TEN-RALLY X dipinta
LOS230001	Spoiler, TEN-RALLY X	Spoiler, TEN-RALLY X	Aileron, TEN-RALLY X	Alettone, TEN-RALLY X
LOS231000	Front/Rear Bumper, TEN-RALLY X	Stoßfänger vorne/hinten TEN-RALLY X	Pare choc av/arr, TEN-RALLY X	Paraurti anteriore/posteriore, TEN-RALLY X
LOS43000	Wheel Set (2)	Radset (2)	Set de jantes (2)	Set ruote (2)
LOS43001	Tires with Foam (2): TEN-RALLY X	Reifen mit Einlagen: TEN-RALLY X	Pneus avec inserts: TEN-RALLY X	Gomme con spugna: TEN-RALLY X
LOS2021	Front Suspension Arm Set	Querlenkerset Vorne	Set de triangles avant	Set braccetti sospensioni anteriori
LOS2022	Rear Suspension Mount Cover	Hintere Querlenkerabdeckung	Protection de renfort de cellule arrière	Coperchio sospensione posteriore
LOS2023	Rear Suspension Arm Set	Querlenkerset hinten	Set de triangles arrière	Set braccetti sospensioni posteriori
LOS2100	Front Spindles and Carriers	Achsschenkel und Achsschenkelträger	Fusées et étriers avant	Supporti semiassi anteriori
LOS2103	Rear Hubs and Spacers	Radträger hinten	Fusées arrière avec entretoises	Mozzi e distanziali posteriori
LOS2123	Steering Bellcrank Set	Servosaver Set	Set de renvois de direction	Set rinvii sterzo
LOS2124	Steering Posts/Tube and Hardware	Stehbolzen für Servosaver	Pivots de direction avec accessoires	Supporti/tubi dello sterzo e viti
LOS2163	Front Shock Towers and Caps	Dämpferbrücke Vorne und Distanzstücke	Support d'amortisseur avant	Supporti ammortizzatori anteriori e caps
LOS2170	Rear Shock Tower	Dämpferbrücke Hinten	Support d'amortisseurs arrière	Supporti ammortizzatori posteriori
LOS2211	Front and Rear Pin Mount Cover Set	Abdeckung f. Querlenkerhalter	Set de protections de renforts de cellules av/arr	Set pin montaggio copertura anteriore e posteriore
LOS2213	Pivot Pin Mount Set (4)	Querlenkerhalter Set (4)	Set de renforts de cellules (4)	Set pivot pin montaggio
LOS2222	Front and Rear Sway Bar Set	Stabisatz v/h	Set de barres anti-roulis av/arr	Set barra antirollio anteriore e posteriore
LOS2278	Chassis Brace and Spacer Set (3)	Chassis Strebe und Distanzstück Set (3)	Set de renforts de châssis (3)	Set bracci e distanziali chassis
LOS2279	Steering Drag Link and Hardware	Lenkhebel m. Zbh.	Barre d'Ackerman avec accessoires	Tirante sterzo con viti
LOS2359	Radio Tray with Switch Cover Blank and Receiver Cover	Radioplatte mit Schalter u. Empfängerabdeckung	Platine radio, avec compartiment de récepteur et protection d'interrupteur.	Supporto radio con copertura interruttore e ricevitore
LOS2411	Chassis	Chassis	Châssis	Chassis
LOS2412	Top Brace	Abdeckung Diff. u. Radioplatte	Renfort supérieur	Braccio superiore
LOS2413	Motor Mount with Adapter	Motorhalter mit Adapter	Support moteur avec adaptateur	Supporto motore con adattatore
LOS2414	Body Posts	Karosseriehalter	Supports de carrosserie	Supporti carrozzeria
LOS2415	Battery Tray with Stop Tab, Foam Pad and Screws	Akkuhalter m. Mittelst. Schaumeinl. u. Schrauben	Support de batterie avec cales en mousse et vis	Porta batteria con fermi, spugna e viti
LOS2416	Battery Straps (2)	Akkuhalter Klett (2)	Sangles de batteries (2)	Fascette batteria (2)
LOS2417	Rear Bumper Pack	Hintere Stoßfänger	Parechoc arrière	Paraurti posteriore
LOS2418	Rear Mud Flap (2)	Hintere Schmutzfänger (2)	Bavettes (2)	Paraspruzzi posteriore
LOS2419	Sideguards	Seitenschützer	Protections latérales	Protezioni laterali
LOS2825	Front Shock Body Set	Dämpfergehäuse Set vorne	Set de corps d'amortisseurs avant	Set corpo ammortizzatore anteriore
LOS2826	Rear Shock Body Set	Dämpfergehäuse Set hinten	Set de corps d'amortisseurs arrière	Set corpo ammortizzatore posteriore
LOS2845	Front and Rear Shock Shaft Set	Stoßdämpferkolben Set v/h	Set de tiges d'amortisseurs av/arr	Set alberino ammortizzatore anteriore e posteriore
LOS2904	Front and Rear Shock Plastics and Ball Set (4)	Kugelpfannen u. Kugeln (4)	Set de chapes et bouchons d'amortisseurs av/arr (4)	Set plastica e sfere ammortizzatori anteriori e posteriori
LOS2905	Front and Rear Shock Boots (8)	Stoßdämpfermanschetten v/h (8)	Chaussettes d'amortisseurs av/arr (8)	Calza ammortizzatore anteriore e posteriore (8)
LOS2906	Shock Rebuild Set (2)	Stoßdämpfer Reparatur Set (2)	Set de réparation d'amortisseur (2)	Set ammortizzatore ricostruito (2)
LOS2961	Front and Rear Spring Set (4)–Med (Black)	Stoßdämpferfedern (4) v/h Schwarz (Mittel)	Set de ressorts av/arr (4)	Set molle anteriore e posteriore (4)- med (nero)
LOS3104	Front and Rear Gearbox Set	Diffgehäuse v/h Set:	Set de carters de différentiels av/arr	Set riduttori anter. e poster.
LOS3436	40T Spur Gear, Mod 1	40Z Zahnrad Mod 1	Couronne 40 T, Mod 1	Ingranaggio 40T, mod 1
LOS3495	Wheel Hex (4) with Pins	Radmitnehmer m. Stifte (4)	Hexagones de roues avec goupilles (4)	Dadi ruote (4) con spinotti
LOS3536	Center Differential Mount and Shock Tool Set	Mitteldiffhalter und Stoßdämpferwerkzeug Set	Support de différentiel central avec outil d'amortisseurs	Supporto differenziale centrale e attrezzi ammort.
LOS3542	Differential Housing and Seal Set	Diff Gehäuse u. Dichtung Set	Corps de différentiel avec joint	Set sede differenziale con chiusura
LOS3553	Center Differential Outdrive Set	Antriebsklaue für Mitteldiff Set	Set de noix de sortie de différentiel central	Set differenziale centrale e giunto central
LOS3555	Center Front CV Driveshaft Assembly	Antriebswelle Mitte/Vorne inkl. Zubehör	Cardan CVD central avant	Trasmissione compl. CV centrale anteriore
LOS3556	Center CV Driveshaft Couplers	Anschlussstück für Antriebswelle Mitte	Liaison de cardan CVD	Manicotti trasmissione CV centrale
LOS3563	F/R Differential Outdrive and Hard Set (2)	Antriebsklauen Set v/h (2)	Noix de sortie de différentiel av/arr (2)	Giunto differenziale F/R con viti (2)
LOS3564	F/R CV Driveshafts and Couplers (2)	Antriebswellen v/h (2)	Cardans av/arr avec liaison (2)	Manicotti trasmissione CV F/R
LOS3565	F/R CV Couplers (4)	Antriebswellen Kupplungsstück (4)	Liaisons de cardan av/arr (4)	Manicotti CV F/R (4)
LOS3568	Differential Seals/Pin and Gasket	Differential Dichtungssatz	Joints et goupille de différentiel	Chiusure differenziale e guarnizione
LOS3569	Differential Gear Set with Hardware	Diff. Zahnräder u. Zubehör	Set de pignons de différentiel	Set ingranaggi differenziale con viti

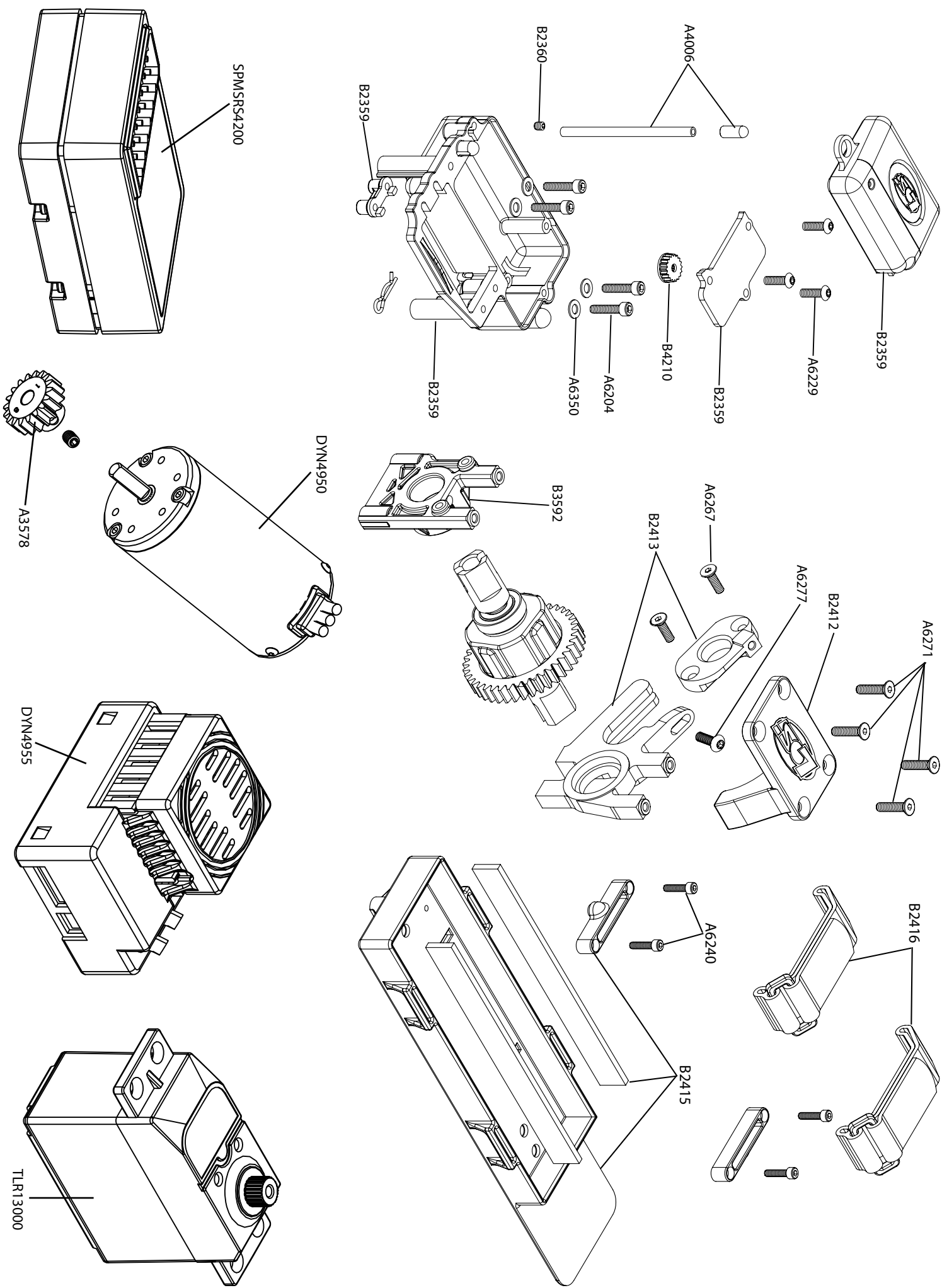
PART #	ENGLISH	DEUTSCH	FRANÇAIS	ITALIANO
LOSB3571	Front Ring and Pinion Gear Set	Triebbling und Tellerrad Diff vorne	Pignon d'attaque et couronne de différentiel avant	Set anello e pignone anteriore
LOSB3572	Rear Ring and Pinion Gear Set	Triebbling und Tellerrad Diff hinten	Pignon d'attaque et couronne de différentiel arrière	Set anello e pignone posteriore
LOSB3574	Axle (2)	Achse (2)	Axes de roues (2)	Asse (2)
LOSB3578	Center Rear Drive Shaft	Antriebswelle mitte/hinten	Cardan central arrière	Albero trasmissione centrale posteriore
LOSB3592	Differential Standoff	Diff Halter	Guide de différentiel central	Standoff differenziale
LOSB4003	F/R Camber/Steering Turnbuckle Set	Gewindestangen Set Spur/Sturz	Biellettes de carrossage av/arr	Set tenditori camber/sterzo F/R
LOSB4023	Rod End Set (15)	Kugelpfannensatz (15)	Chapes (15)	Set attacchi per sfere (15)
LOSB4022	Camber and Steering Ball Set (12)	Kugelset (12)	Rotules de carrossage et de direction (12)	Set sfere per camber e sterzo (12)
LOSB4109	Suspension Hinge and King Pin Set (10)	Querlenkerbolzen & Kingpinset (10)	Set d'axes de suspension et de direction (10)	Cerniera sospensione e set king pin (10)
LOSB4210	Steering/Throttle/Brake Link Set	Gas/Bremsgestänge Set	Set de tringleries	Set collegamenti sterzo/motore/freno
LOSB7019	Beadlock Ring with Screws, Chrome	Beadlock Ring mit Schrauben, Chrome	Anneau Beadlock avec vis, chromé	Anelli blocca tallone con viti, cromati
LOSA4006	Antenna Kit	Antennen Kit	Kit d'antenne	Kit antenna
LOSA6204	4-40 x 1/2 Cap Screws	4-40 x 1/2 Inbusschrauben	Vis BTR 4-40x 1/2	Viti a brugola 4-40 x 1/2
LOSA6206	4-40 x 3/8 Cap Screws	4-40 x 3/8 Inbusschrauben	Vis BTR 4-40 x 3/8	Viti a brugola 4-40 x 3/8
LOSA6227	4-40 x 1/8 Setscrews	4-40 x 1/8 Madenschrauben	Vis imbus 4-40 x1/8	Grani 4-40 x 1/8
LOSA6229	4-40 x 3/8 Button Head Screws	4-40 x 3/8 Halbrundschraben	Vis BTR à tête bombée 4-40 x 3/8	Viti testa tonda 4-40 x 3/8
LOSA6240	5-40 x 1/2 Cap Screws	5-40 x 1/2 Inbusschrauben	Vis BTR 5-40 x1/2	Viti a brugola 5-40 x 1/2
LOSA6250	4mm and 5mm Setscrews	4mm und 5mm Madenschrauben	Vis Imbus M4 et M5	Grani 4 mm e 5 mm
LOSA6254	2-56 x 1/4 Cap Screws	2-56 x 1/4 Inbusschrauben	Vis BTR 4-40 x 1/2	Viti a brugola 2-56 x 1/4
LOSA6256	4-40 x 1/2 Button Head Screws	4-40 x 1/2 Halbrundschraben	Vis à tête bombée 4-40 x 1/2	Viti testa tonda 4-40 x 1/2
LOSA6264	8-32 x 3/8 Flat Head Screws	8-32 x 3/8 Flachkopfschrauben	Vis à tête fraisée 8-32 x 3/8	Viti a testa piatta 8-32 x 3/8
LOSA6270	5-40 x 3/8 Flat Head Screws	5-40 x 3/8 Flachkopfschrauben	Vis à tête fraisée 5-40 x 3/8	Viti a testa piatta 5-40 x 3/8
LOSA6271	5-40 x 1/2 Flat Head Screws	5-40 x 1/2 Flachkopfschrauben	Vis à tête fraisée 5-40 x 1/2	Viti a testa piatta 5-40 x 1/2
LOSA6272	5-40 x 3/4 Flat Head Screws	5-40 x 3/4 Flachkopfschrauben	Vis à tête fraisée 5-40 x 3/4	Viti a testa piatta 5-40 x 3/4
LOSA6275	5-40 x 5/8 Flat Head Screws	5-40 x 5/8 Flachkopfschrauben	Vis à tête fraisée 5-40 x 5/8	Viti a testa piatta 5-40 x 5/8
LOSA6277	5-40 x 3/8 Button Head Screws	5-40 x 3/8 Halbrundschraben	Vis à tête bombée 5-40 x 3/8	Viti testa tonda 5-40 x 3/8
LOSA6278	5-40 x 1/2 Button Head Screws	5-40 x 1/2 Halbrundschraben	Vis à tête bombée 5-40 x 1/2	Viti testa tonda 5-40 x 1/2
LOSA6279	5-40 x 3/4 Button Head Screws	5-40 x 3/4 Halbrundschraben	Vis à tête bombée 5-40 x 3/4	Viti testa tonda 5-40 x 3/4
LOSA6282	5-40 x 7/8 Button Head Screws	5-40 x 7/8 Halbrundschraben	Vis à tête bombée 5-40 x 7/8	Viti testa tonda 5-40 x 7/8
LOSA6286	5-40 x 5/8 Button Head Screws	5-40 x 5/8 Halbrundschraben	Vis à tête bombée 5-40 x 5/8	Viti testa tonda 5-40 x 5/8
LOSA6290	8-32 x 1/2 Button Head Screws	8-32 x 1/2 Halbrundschraben	Vis à tête bombée 8-32 x 1/2	Viti testa tonda 8-32 x 1/2
LOSA6293	8-32 x 1/4 Setscrews	8-32 x 1/4 Madenschrauben	Vis Imbus 8-32 x 1/4	Grani 8-32 x 1/4
LOSA6295	10-32 x 3/8 Setscrews	10-32 x 3/8 Madenschrauben	Vis Imbus 10-32 x 3/8	Grani 10-32 x 3/8
LOSA6298	8-32 x 1/8 Setscrews	8-32 x 1/8 Madenschrauben	Vis Imbus 8-32 x 1/8	Grani 8-32 x 1/8
LOSA6299	5-40 x 1/8 Setscrews	5-40 x 1/8 Madenschrauben	Vis Imbus 5-40 x 1/8	Grani 5-40 x 1/8
LOSA6302	5-40 Steel Lock Nuts	5-40 Stopmuttern Stahl	Ecrous freinés en inox 5-40	Dado autobloccante 5-40
LOSA6350	#4 and 1/8-Inch Hardened Washer (24)	#4 und 1/8 inch gehärtete Unterlegscheiben (24)	Rondelles n°4 et 1/8 (24)	Rondella indurita #4 e 1/8-inch (24)
LOSA6907	5 x 8 x 2.5 Ball Bearing (2)	5 x 8 x 2,5 Kugellager (2)	Roulement 5x8x2.5 (2)	Cuscinetto a sfere 5x8x2,5 (2)
LOSA6947	5 x 11 Sealed Ball Bearings (2)	5 x 11 Kugellager gekapselt (2)	Roulement étanche 5x11 (2)	Cuscinetto a sfere sigillato 5x11 (2)
LOSA6954	5 x 10 x 4 Sealed Ball Bearings (2)	5 x 10 x 4 Kugellager gekapselt (2)	Roulement étanche 5 x 10 x 4 (2)	Cuscinetto a sfere sigillato 5x10x4 (2)
LOSA6956	12 x 18 x 4 Sealed Ball Bearings (2)	12 x 18 x 4 Kugellager gekapselt (2)	Roulement étanche 12 x 18 x 4 (2)	Cuscinetto a sfere sigillato 12x18x4 (2)
LOSA6957	10 x 15 x 4 Sealed Ball Bearings with Plastic Retainer (2)	10 x 15 x 4 Kugellager gekapselt (2)	Roulement étanche avec flasque en plastique 10x15x4 (2)	Cuscinetto a sfere sigillato 10x15x4 con fermo in plastica (2)
LOSA6958	6 x 12 x 4 Sealed Ball Bearings with Plastic Retainer (2)	6 x 12 x 4 Kugellager gekapselt (2)	Roulement étanche avec flasque en plastique 6 x 12 x 4 (2)	Cuscinetto a sfere sigillato 6x12x4 con fermo in plastica (2)
SPMR2320	DX2E DSMR Radio System	DX2E DSMR Fernsteuerung	Emetteur DX2E DSMR	Radiocomando DX2E DSMR
SPMSRS4200	SRS4200 4-Channel DSMR AVC Receiver, Waterproof	SRS4200 4-Kanal DSMR AVC Empfänger, Spritzwassergeschützt	Récepteur SRS4200 4 voies DSMR AVC étanche	Ricevitore SRS4200 4-canali DSMR AVC, impermeabile
TLR13000	313WP High Torque Servo Waterproof	313WP High Torque Servo Spritzwasserdicht	Servo 313WP couple élevé, étanche	313WP servo potente impermeabile
DYN4833	Dynamite Fuze 540 4-Pole 3300Kv Sensorless Brushless Motor	DYN4833T Dynamite Fuze 540 4-Pole 3300Kv Sensorloser Brushless Motor	Moteur brushless sensorless Dynamite Fuze 540 4-pôles 3300Kv	DYN4833T Dynamite Fuze 540 4-Poli 3300Kv Motore Sensorless Brushless
DYN4955	Fuze 130A Brushless Waterproof ESC	Fuze 130A Brushless Regler spritzwasserdicht ESC	Contrôleur brushless Fuze 130A étanche	Fuze 130A ESC brushless impermeabile

OPTIONAL PARTS/OPTIONALE BAUTEILE/PIÈCES OPTIONNELLES/PEZZI OPZIONALI

PART #	ENGLISH	DEUTSCH	FRANÇAIS	ITALIANO
LOS330000	TEN-RALLY X Body, Clear	TEN-RALLY X Body Klar	Carrosserie transparente TEN-RALLY X	Carrozzeria TEN-RALLY X, chiara
LOSA5224	Certified Shock Fluid 30 wt.	Silikon Dämpferöl, 30 wt	Huile d'amortisseur 30 wt	Fluido ammortizzatori certificato 30 wt.
LOSA5225	Certified Shock Fluid 35 wt.	Silikon Dämpferöl, 35 wt	Huile d'amortisseur 35 wt.	Fluido ammortizzatori certificato 35 wt.
LOSA5226	Certified Shock Fluid 40 wt.	Silikon Dämpferöl, 40 wt	Huile d'amortisseur 40 wt.	Fluido ammortizzatori certificato 40 wt.
LOSA99004	Losi Cargo Bag	Losi Cargo Tasche	Sac de transport Losi	Borsa Losi
LOSA99006	Losi Pit Roller Carrier/Pit Boxes	LOSI Rolltasche	Valise à roulettes Losi	Borsa Losi con rotelle
LOSA99013	Losi Large Pit Mat	Losi Pit Matte Groß	Serviette de stand Losi	Tappeto largo per manutenzione Losi
LOSA99015	Losi Pit Apron	Losi Mechanikerschürze	Tablier Losi	Grembiule Losi
LOSA99104	Losi Wrench Set US (4 pc)	Losi Imbusschlüssel: US 4 pc Set	Set de clé US Losi (4 pc)	Set chiavi US Losi (4 pz)
LOSA99165	Aluminum Turnbuckle Wrench	Werkzeuge für Gewindestift	Clé de biellettes en aluminium	Chiave alluminio per tenditori
LOSA99772	Camber Gauge	Sturzmesser	Jauge de carrossage	Misuratore camber
LOSA99173	Ride Height Gauge	Fahrzeughöhenmesser	Cale de mesure de garde au sol	Misuratore di altezza
LOSA99174	Car Stand	Autoständer	Support de voiture	Supporto auto
LOSA99202	Losi-Lok Threadlock, Blue	Losi Schraubensicherungslack Blau	Frein filet Losi, bleu	Frenafilletti Losi-Lok, blu
LOSA99203	High-Pressure Black Grease	Hochleistungsfett Schwarz	Graisse haute pression noire	Grasso alta pressione, nero
LOSA99217	Nitrotec Cleaner Spray	Nitrotec Reiniger Spray	Spray nettoyant Nitrotec	Spray pulitore Nitrotec
LOSB2167	Front Shock Tower, Machined Aluminum	Aluminium Stoßdämpferbrücke vorne	Support d'amortisseurs avant, Aluminium usiné	Supporto ammortizz. anter., fresato in alluminio
LOSB2171	Rear Shock Tower, Machined Aluminum	Aluminium Stoßdämpferbrücke hinten	Support d'amortisseurs arrière, Aluminium usiné	Supporto ammortizz. poster., fresato in alluminio
LOSB2172	Rear Shock Tower, Carbon, 4mm	Carbon Stoßdämpferbrücke hinten 4mm	Support d'amortisseurs arrière en carbone, ep 4mm	Supporto ammortizz. poster., carbonio 4 mm
LOSB2173	Front Shock Tower, Carbon, 4mm	Carbon Stoßdämpferbrücke vorne 4mm	Support d'amortisseurs avant en carbone, ep 4mm	Supporto ammortizz. anter., carbonio 4 mm
LOSB2130	Rear Hubs, Aluminum	Radträger hinten, Aluminium	Fusées arrière en aluminium	Mozzo posteriore, alluminio
LOSB2223	Front Chassis Brace, Aluminum	Chassisstrebe vorne, Aluminium	Renfort avant de châssis en aluminium	Supporto anteriore chassis, alluminio
LOSB2224	Rear Chassis Brace, Aluminum	Chassisstrebe hinten, Aluminium	Renfort arrière de châssis en aluminium	Supporto posteriore chassis, alluminio
LOSB2426	Red Torque Rod	Chassisstrebe einstellbar	Biellette de couple rouge	Barra antitorsione rossa
LOSB2846	Shock Tops, Aluminum (2)	Dämpferkappen, Aluminium (2)	Bouchons d'amortisseurs en aluminium (2)	Coperchio ammortizzatore, alluminio (2)
LOSB2907	One-Piece Shock Standoffs	Befestigungsbolzen f. Dämpfer	Entretoise d'amortisseurs en une partie	Standoff ammortizzatori, un pezzo
LOSB2908	Shock Collars, Aluminum (2)	Rändelmutter f. Stoßdämpfer (2)	Bagues d'amortisseurs en aluminium (2)	Collari ammortizzatori, alluminio (2)
LOSB2909	Piston Pack (2)	Stoßdämpferkolben (2)	Pack de pistons (2)	Piston pack (2)
LOSB2959	Front Racing Spring Set	Dämpferfedern vorne Set	Set de ressorts course avant	Set molle da gara anteriori
LOSB2960	Front and Rear Spring Set (4)–Soft (Silver)	Dämpferfeder Soft v/h Silber (4)	Set de ressorts av/arr (4) Souple (Argent)	Set molle anter./poster. (4) - morbida (argento)
LOSB2962	Front and Rear Spring Set (4)–Firm (Gold)	Dämpferfeder Hart v/h Gold (4)	Set de ressorts av/arr (4) Durs (doré)	Set molle anter./poster. (4) - dura (oro)
LOSB2963	Rear Racing Spring Set	Dämpferfeder hinten Set	Set de ressorts course arrière	Set molle da gara posteriori
LOSB3575	Front/Rear HD Lightened Outdrive Set (2)	Antriebsklauen-Set Leicht/gehärtet v/h (2)	Noix de sorties de diff av/arr renforcées allégées (2)	Set giunto alleggerito HD F/R (2)
LOSB3576	Centered HD Lightened Outdrives (2)	Antriebsklauen-Set Leicht/gehärtet mitte (2)	Noix de sorties de diff central renforcées allégées (2)	Giunti centrali HD alleggeriti (2)
LOSB4112	Adjustable Front Hinge Pin Holder Set	Losi Querlenkerhalterset vorne einstellbar, Aluminium	Renfort de cellule avant réglable	Set snodo anteriore regolabile
LOSB4113	Adjustable Rear Hinge Pin Holder Set	Losi Querlenkerhalterset hinten einstellbar, Aluminium	Renfort de cellule arrière réglable	Set snodo posteriore regolabile
TLR0901	TLR Tuning Kit	TLR Tuning Kit	Kit de réglage TLR	Kit di messa a punto TLR
TLR4000	Tuned Flex Lightened Chassis	Tuned Flex Lightened Chassis	Châssis allégé tuned flex	Chassis alleggerito flex

REAR EXPLODED VIEW
 HECK EXPLOSIONSZEICHNUNG
 VUE ÉCLATÉE ARRIÈRE
 VISTA ESPLOSA DELLA PARTE POSTERIORE







WWW.LOSI.COM

37037

Created 9/13 LOS03000
©2013 Horizon Hobby Inc.

Losi, AVC, DSM, DSM2, DSMR, Fuze, TLR, Dynamite, Passport, Speedpack, Losi-Lok, Nitrotec, and the Horizon Hobby logo are trademarks or registered trademarks of Horizon Hobby, Inc. The Spektrum trademark is used with permission of Bachmann Industries, Inc. All other trademarks, service marks and logos are property of their respective owners.