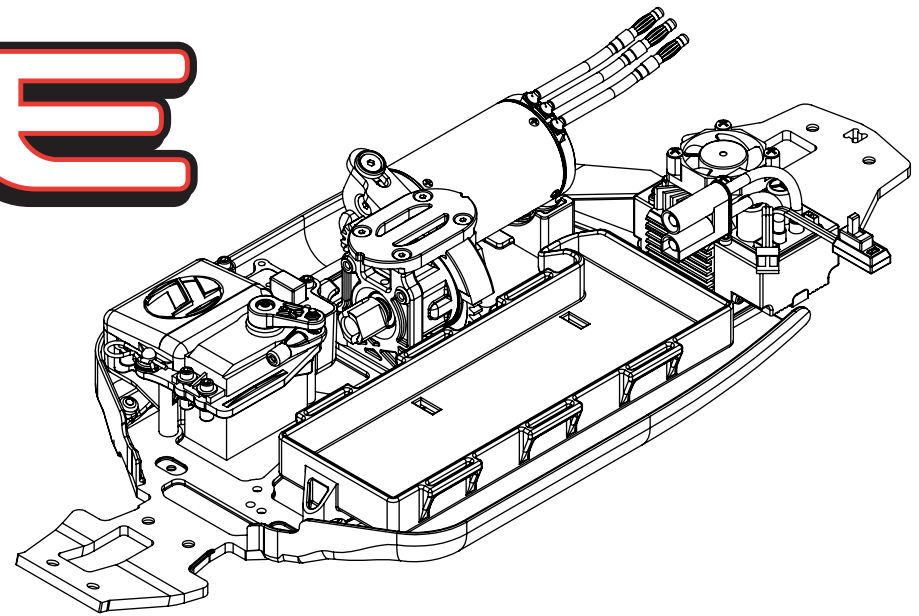


EIGHT-E



Replacement / Option Parts

Item # Description Retail

LOSA0912	Eight E Conversion Kit & Hardware	\$104.99
LOSA4460	Eight E Radio Tray & Hardware	\$11.99
LOSA4461	8E: Battery Tray	\$11.99
LOSA4462	8E: Motor Brace and Diff Plates	\$15.99
LOSA4463	8E: Velcro Straps	\$11.99
LOSA6256	4-40 x 1/2" BH Screws (10)	\$1.50
LOSA6259	4mmx12mm Flat Head Screws	\$2.99
LOSA6264	8-32 x 3/8" FH Screws (10)	\$2.50
LOSA6270	5-40 x 3/8" FH Screws (10)	\$4.00
LOSA6271	5-40 x 1/2" FH Screws (10)	\$2.50
LOSA6351	#8 Countersink Washers (8)	\$4.00
LOSA8368	8E: Decal Sheet	\$7.99
LOSA9198	Motor Mount, 8E	\$31.99
LOSA9199	Adapter, Motor, 8E	\$8.99
LOSA8097	8E Body w/ masks and stickers	\$32.99
LOSA8200	Body Clips (12)	\$1.25
LOSA8301	TL Bubble Nameplates (4)	\$5.00
LOSA3552	Center Diff 45T Spur Gear: 8E	\$24.99
LOSA3570	1.0 Module Pitch Pinion Gear, 8E, 10T	\$9.99
LOSA3571	1.0 Module Pitch Pinion Gear, 8E, 11T	\$9.99
LOSA3572	1.0 Module Pitch Pinion Gear, 8E, 12T	\$9.99
LOSA3573	1.0 Module Pitch Pinion Gear, 8E, 13T	\$9.99
LOSA3574	1.0 Module Pitch Pinion Gear, 8E, 14T	\$9.99
LOSA3575	1.0 Module Pitch Pinion Gear, 8E, 15T	\$9.99
LOSA3576	1.0 Module Pitch Pinion Gear, 8E, 16T	\$9.99
LOSA3577	1.0 Module Pitch Pinion Gear, 8E, 17T	\$9.99
LOSA3778	1.0 Module Pitch Pinion Gear, 8E, 18T	\$9.99

Electronics

Item # Description Retail

LOSB9353	Heatsink: 1/8 Xcelorin	\$TBD
LOSB9358	Rubber Grommets: 1/8 Xcelorin ESC	\$TBD
LOSB9359	Case and Hardware; 1/8 Xcelorin ESC	\$TBD
LOSB9363	Fan: 1/8 Xcelorin ESC	\$TBD
LOSB9364	Switch: 1/8 Xcelorin ESC	\$TBD
LOSB9368	Signal Wire: 1/8 Xcelorin ESC	\$TBD
LOSB9381	4mm Bullet Connector Set (2)	\$TBD
LOSB9382	4mm Bullet Connector Male (2)	\$TBD
LOSB9383	4mm Bullet Connector Female (2)	\$TBD
LOSB9384	Preassembled Battery Lead w/EC5 Connector	\$TBD
LOSB9385	Pre-Assembled Motor Leads: 1/8 Xcelorin	\$TBD
LOSB9420	1/8 Xcelorin S BL Motor, 1300Kv	\$239.99
LOSB9421	1/8 Xcelorin S BL Motor, 1700Kv	\$239.99
LOSB9422	1/8 Xcelorin S BL Motor, 2100Kv	\$239.99
LOSB9516	1/8 Xcelorin Sensorless ESC	\$249.99
LOSB9556	1/8 Xcelorin S BL Combo, 1300Kv	\$449.99
LOSB9557	1/8 Xcelorin S BL Combo, 1700Kv	\$449.99
LOSB9620	EC5 Device Connector (2)	\$7.99
LOSB9621	EC5 Battery Connector (2)	\$7.99
LOSB9622	EC5 Device/BattConnector Set (2)	\$7.99
LOSB9864	14.8V 5000mAh 4S 25C LiPo, Hard case	\$299.99

