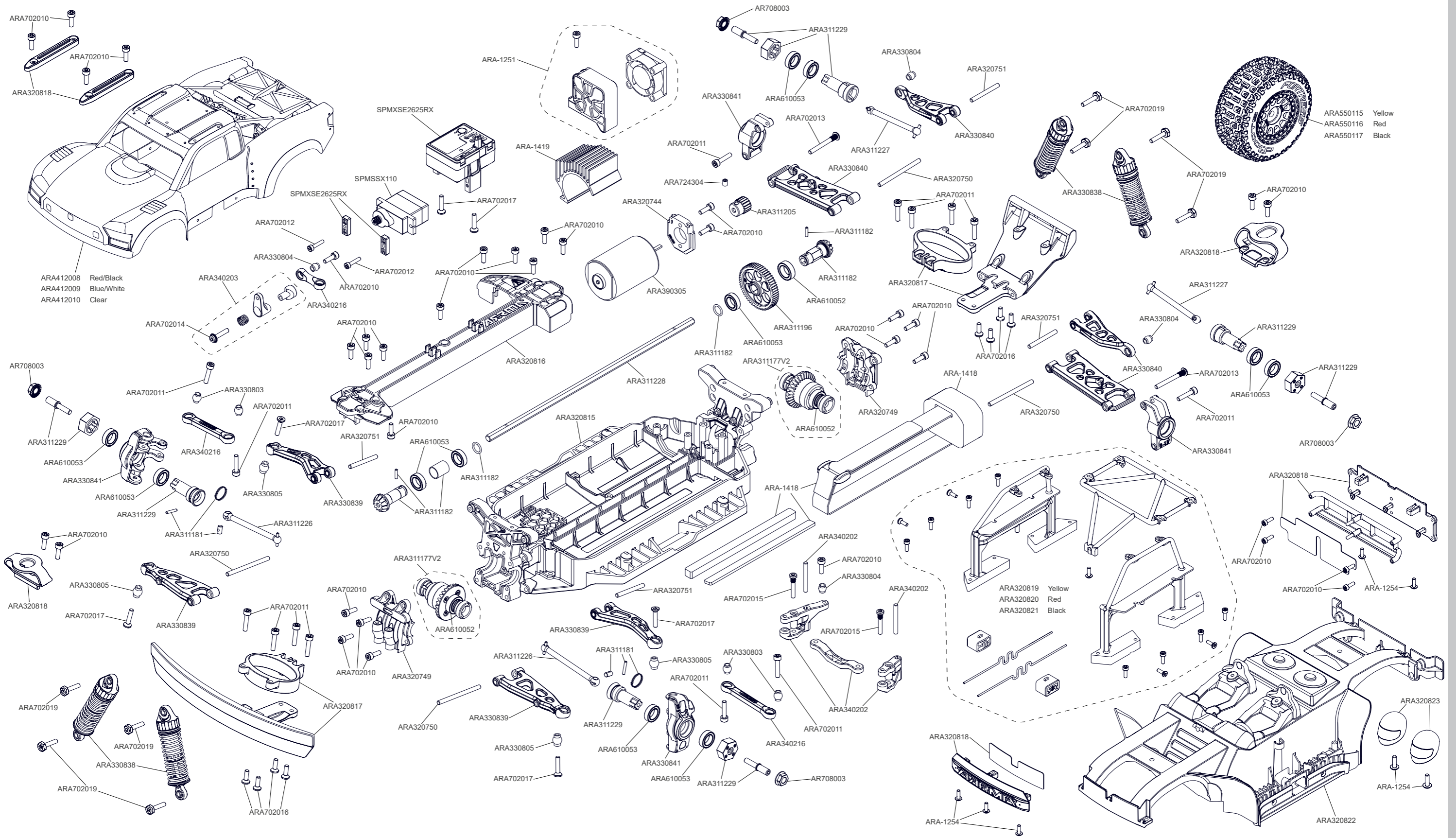




EXPLODED VIEW EXPLOSIONSANSICHT VUE ÉCLATÉE



ARA412008 Red/Black
ARA412009 Blue/White
ARA412010 Clear

ARA550115 Yellow
ARA550116 Red
ARA550117 Black

ARA320819 Yellow
ARA320820 Red
ARA320821 Black

ARA320823
ARA-1254

ARA320822



ARB1000520B4.1 ©2024 Horizon Hobby, LLC. ARRMA RC is a trade name of Horizon Hobby Ltd. Horizon Hobby Ltd is a subsidiary of Horizon Hobby, LLC. ARRMA, the ARRMA logo, 380 Mega and MOJAVE GROM are trademarks or registered trademarks of Horizon Hobby, LLC. All other trademarks, service marks and logos are property of their respective owners.

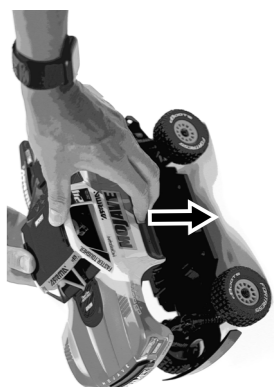
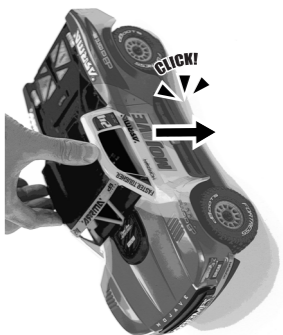
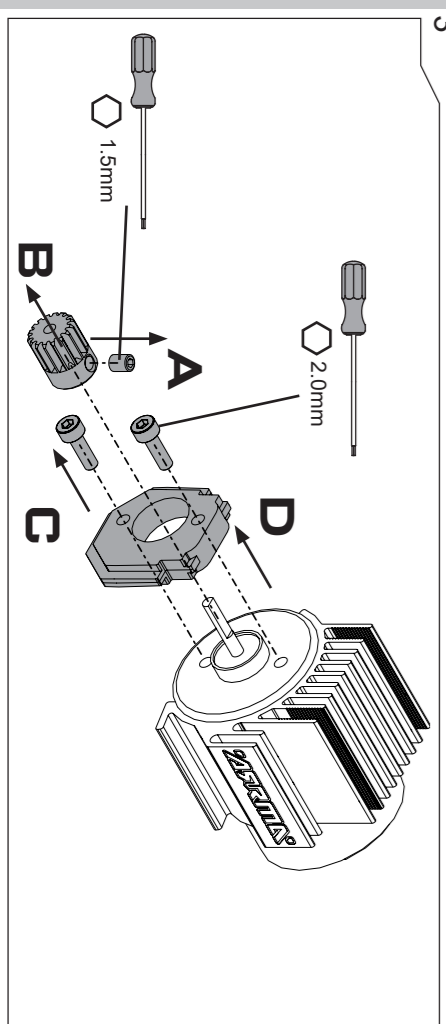
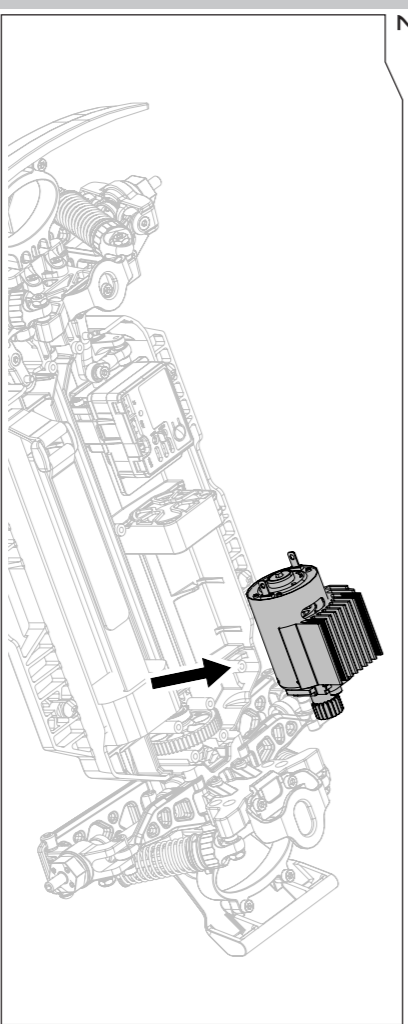
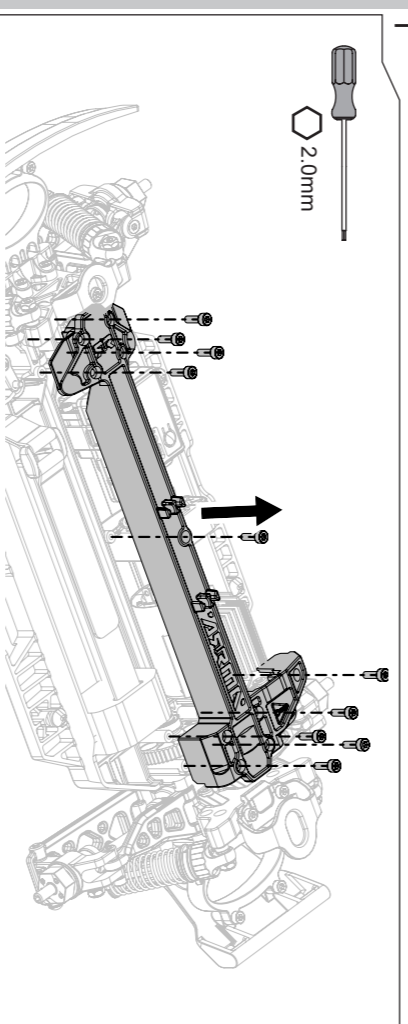
ARRMA MOJAVE GROM

TECHNICAL PACK!
TECHNISCHES PACK!
PACK TECHNIQUE!

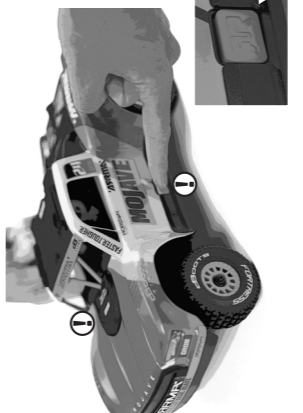


How To... WIE... COMMENT...

Change the Pinion / Motor: Wechseln man das Motorritzel/den Motor. Changez le Pignon / Moteur.



INSTALL.. INSTALLIEREN.. INSTALLER..



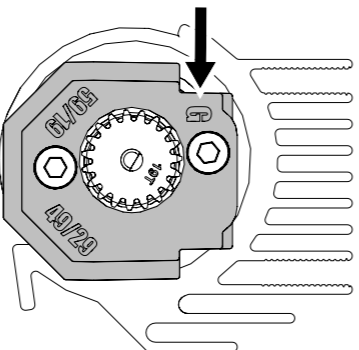
REMOVE.. ENTFERNEN.. RETIRER..



How To... WIE... COMMENT...

Remove and install the Body Entfernen und installieren Sie das Gehäuse Retirer et installer le corps

Motor Mount Chart Motormontagetabelle Tableau de montage du moteur	Pinion Gear Ritzel Pignon														
Spur Gear Stirnradgetriebe Engrenage droit	59 Tooth	A	C	E	G	I	K	M	16	17	18	19	20	21	22
ARA311202	Pinion Gear 16T MOD 0.5 CNC														
ARA311203	Pinion Gear 17T MOD 0.5 CNC														
ARA311204	Pinion Gear 18T MOD 0.5 CNC														
ARA311205	Pinion Gear 19T MOD 0.5 CNC														
ARA311206	Pinion Gear 20T MOD 0.5 CNC														
ARA311207	Pinion Gear 21T MOD 0.5 CNC														
ARA311208	Pinion Gear 22T MOD 0.5 CNC														



ARA311202	Pinion Gear 16T MOD 0.5 CNC
ARA311203	Pinion Gear 17T MOD 0.5 CNC
ARA311204	Pinion Gear 18T MOD 0.5 CNC
ARA311205	Pinion Gear 19T MOD 0.5 CNC
ARA311206	Pinion Gear 20T MOD 0.5 CNC
ARA311207	Pinion Gear 21T MOD 0.5 CNC
ARA311208	Pinion Gear 22T MOD 0.5 CNC

