



LOS-2272 / LOS-2310

# QUICKSTART GUIDE



# PROMOTO 96

VIDEO

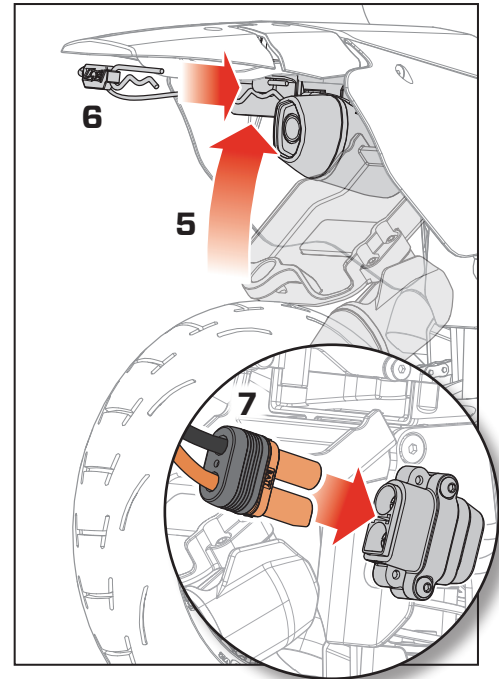
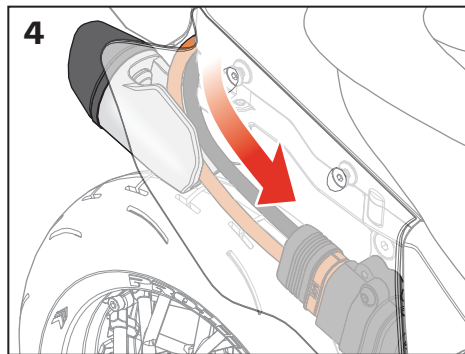
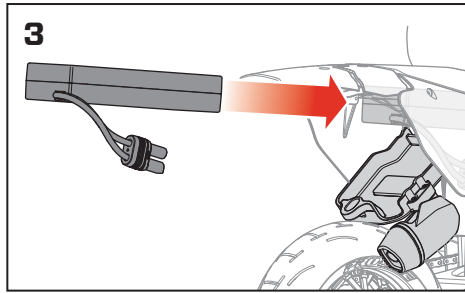
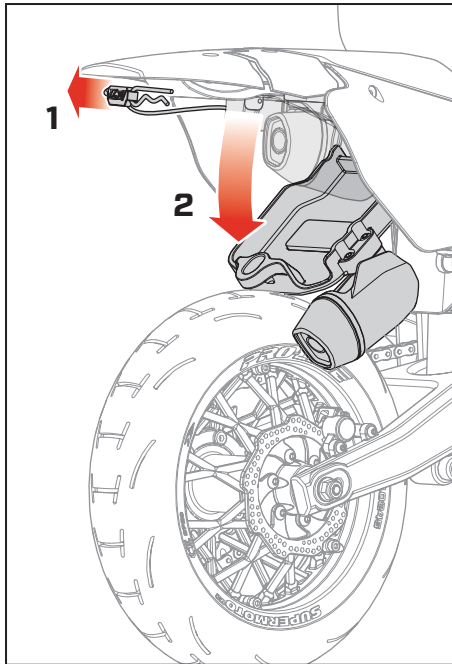


Scan the QR code to view the QuickStart video.

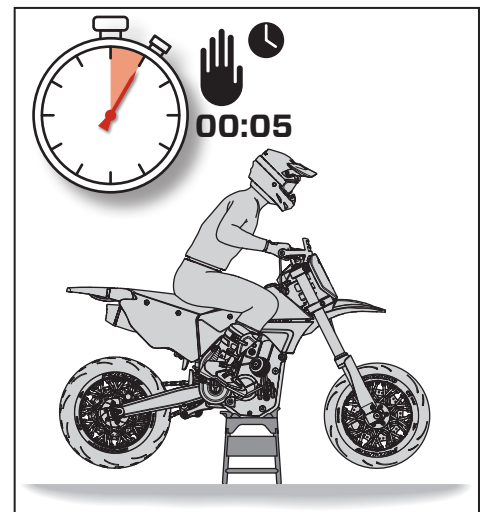
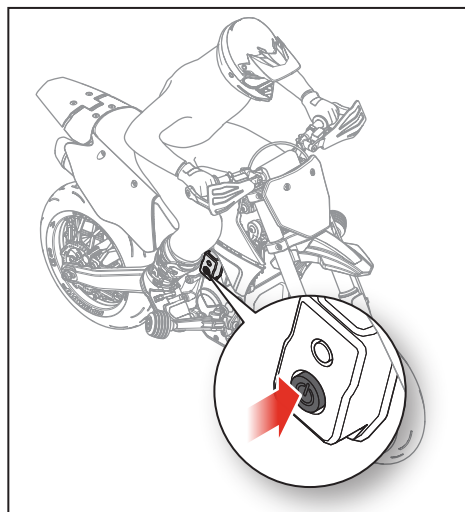
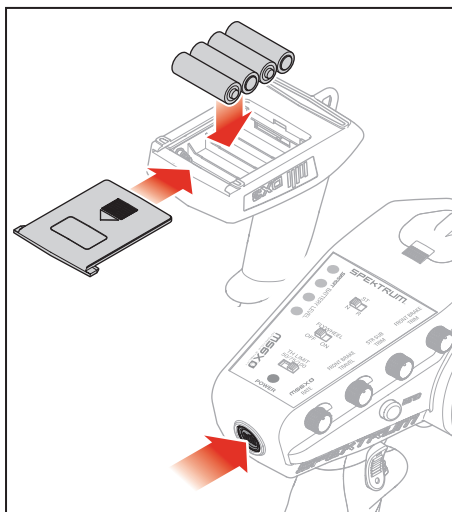
1016150  
Created 10/24



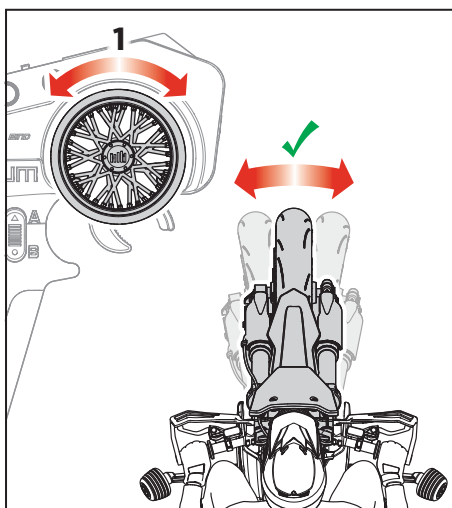
### Install the Battery



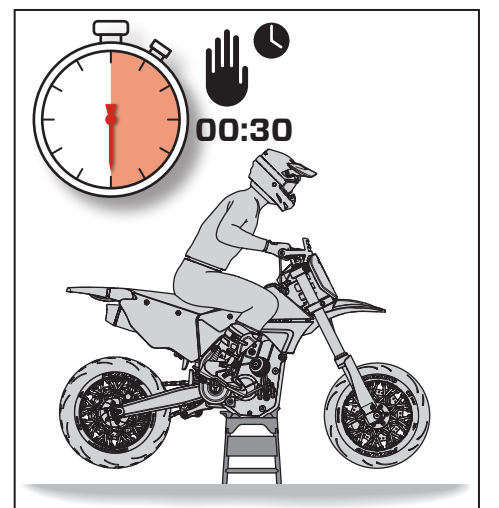
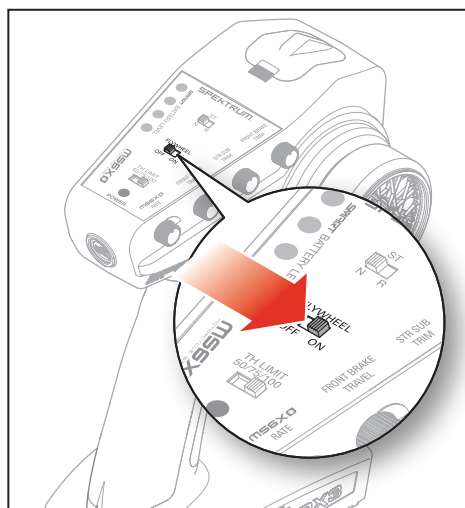
### Power On



### Arming Check

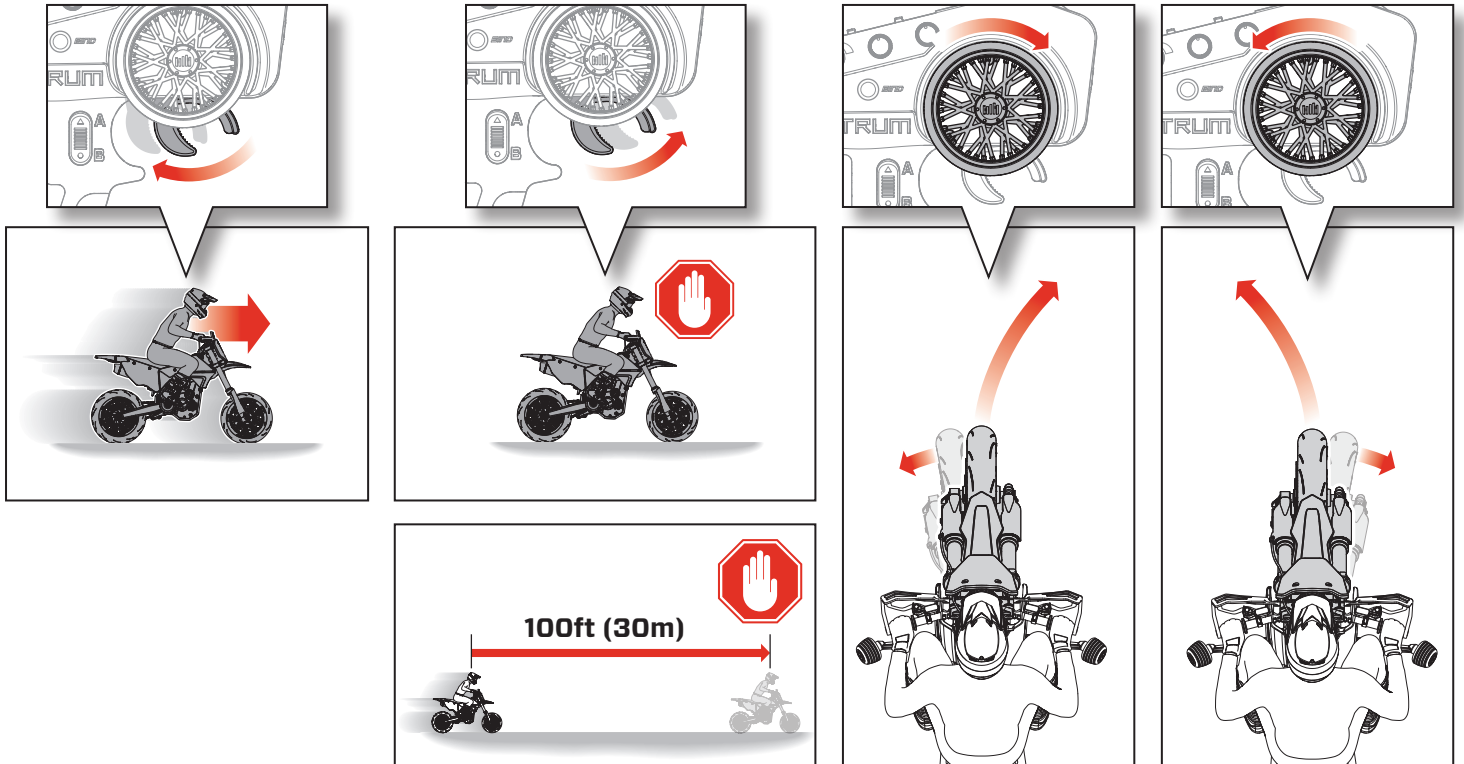


### Flywheel Startup

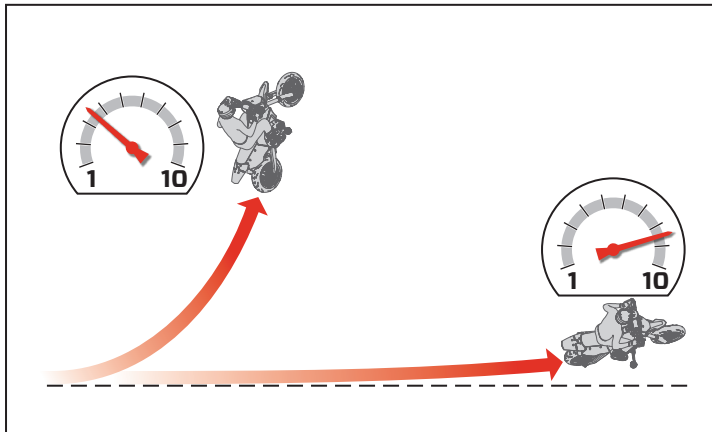




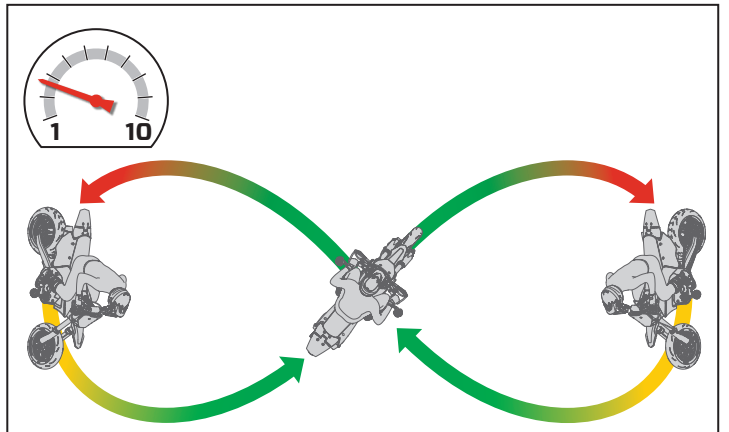
## Transmitter Controls



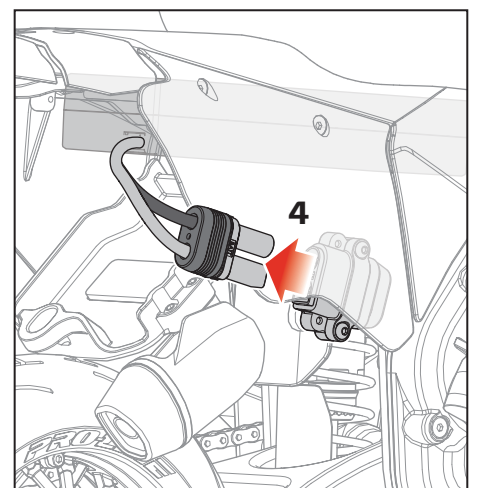
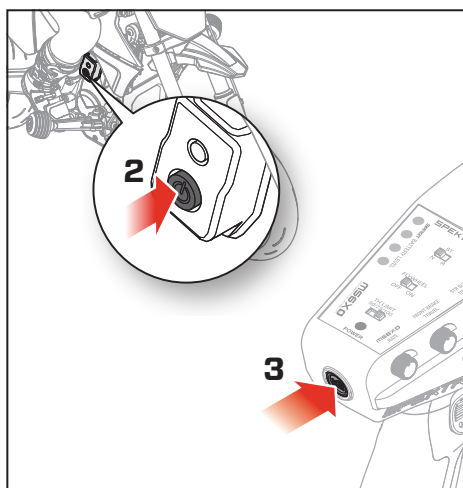
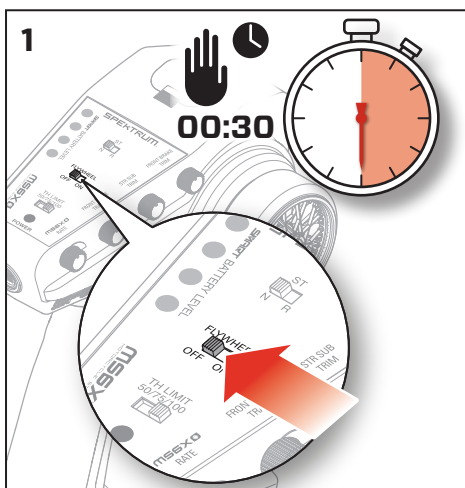
## Turning Radius



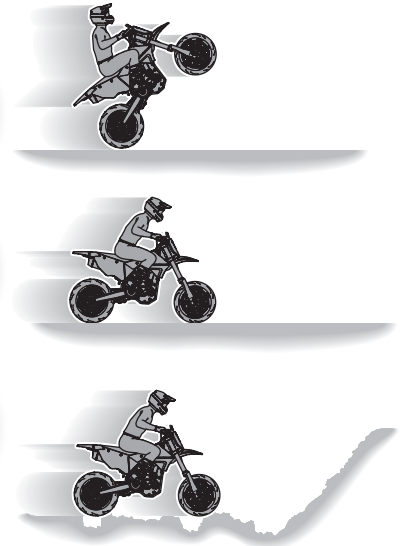
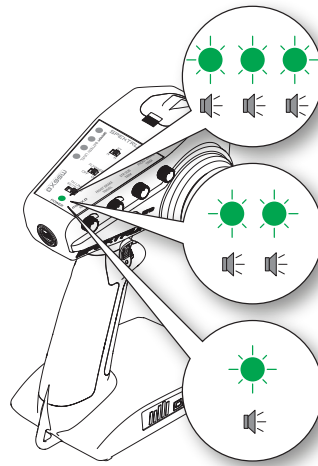
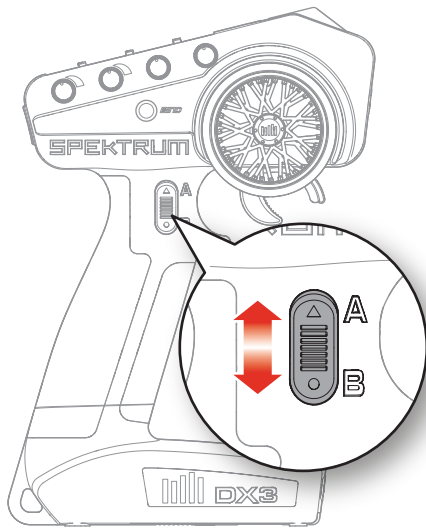
## Practice



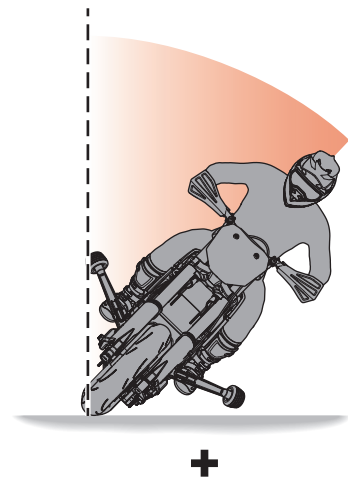
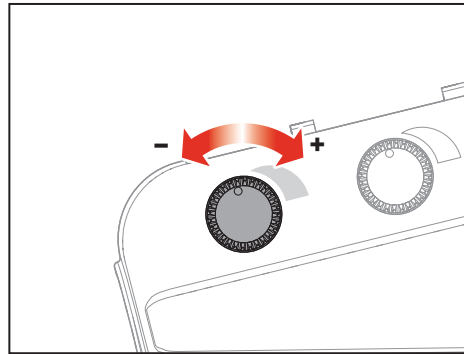
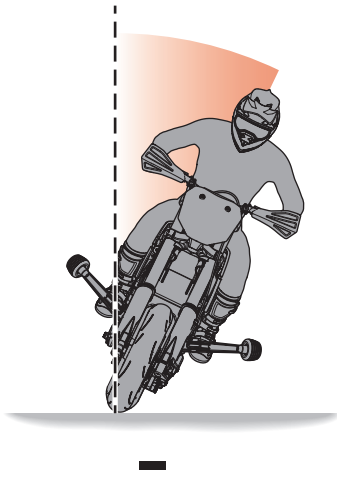
## Power Off



## Drive Modes



## MS6X® Lean Adjustment



Scan the QR code and select the Support tab from the product page for the most up-to-date manual information.



LOS-2272 / LOS-2310