



8IGHT-X Super Lasernut Manual Addendum

LOS04019

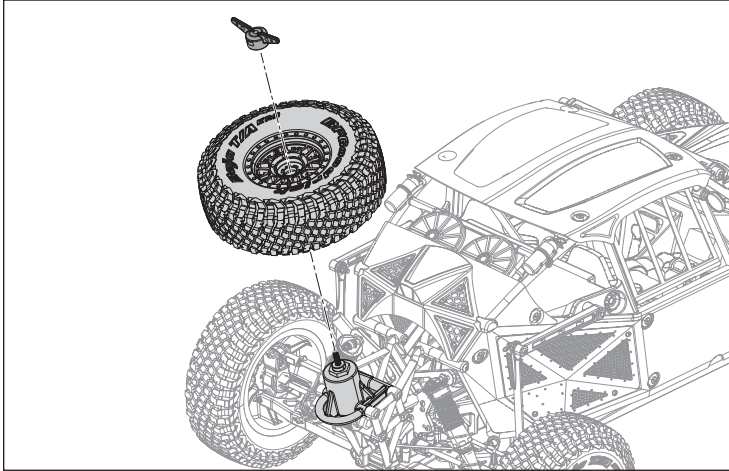
IMPORTANT: The body and spare tire mounts of your vehicle have been updated since the production of the manual. The vehicle battery installation steps should read as follows:

INSTALLING THE VEHICLE BATTERIES

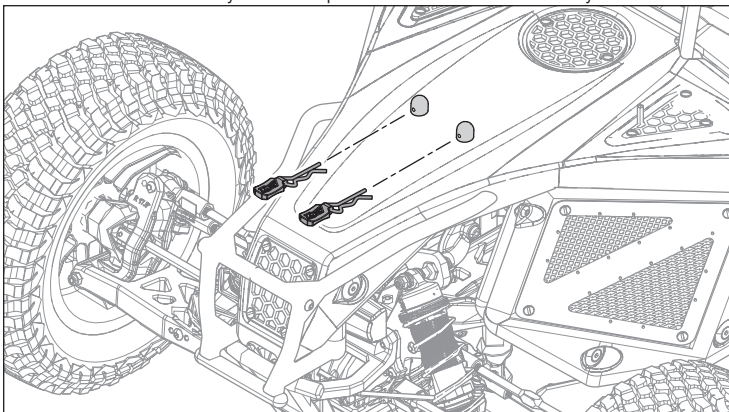
Your vehicle is powered by two 3S LiPo batteries. We recommend two Spektrum™ 5000mAh 3S 11.1V Smart G2 100C; IC5 (SPMX53S100H5).

To install the vehicle batteries:

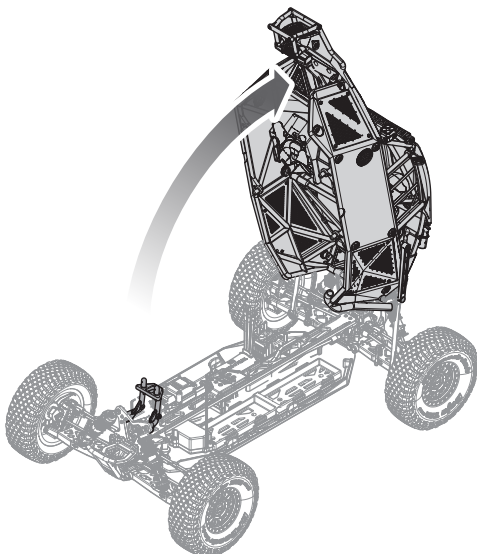
1. Remove the wingnut spare tire retainer and pull the spare tire from the rear of the chassis.



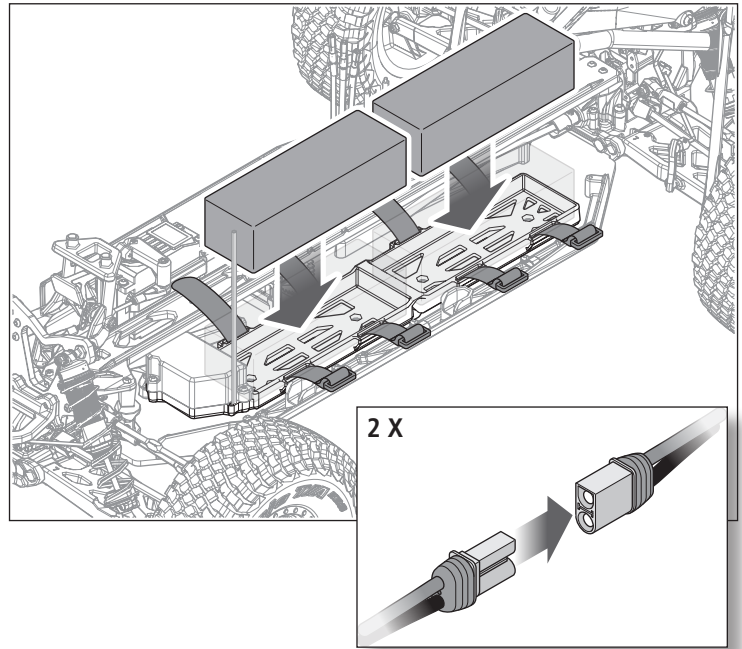
2. Remove the two body retention pins from the front of the body.



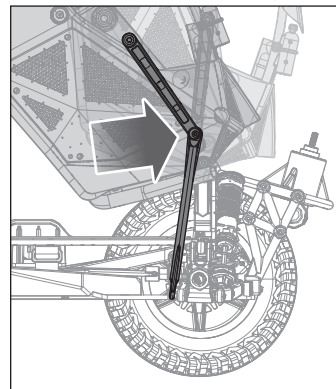
3. Lift the front of the body to access the battery compartment.



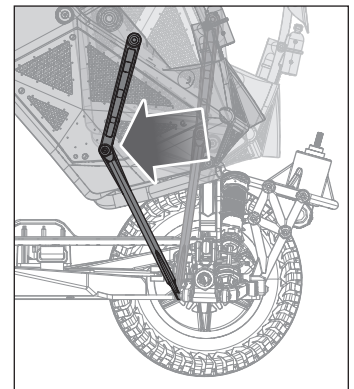
4. Install two fully charged 3S batteries in the battery tray, and secure the batteries with the hook and loop straps.
5. Connect the batteries to the IC5 ESC power lead connectors.



6. Lower the body over the retention posts. **IMPORTANT:** Ensure the sway bar arms pivot toward the rear of the chassis to prevent damage to the suspension components.



Correct



Incorrect

7. Reinstall the body retention pins through the posts.
8. Reinstall the spare tire by sliding the wheel over the mount post. If necessary, rotate the spare tire until the hex on the wheel lines up with the hex on the mount.
9. Install the wingnut onto the mount post. Do not over tighten the wingnut.

NOTICE: Always disconnect the batteries from the ESC when you are done driving for the day. Failure to disconnect the batteries will cause the batteries to fully discharge and damage the batteries.